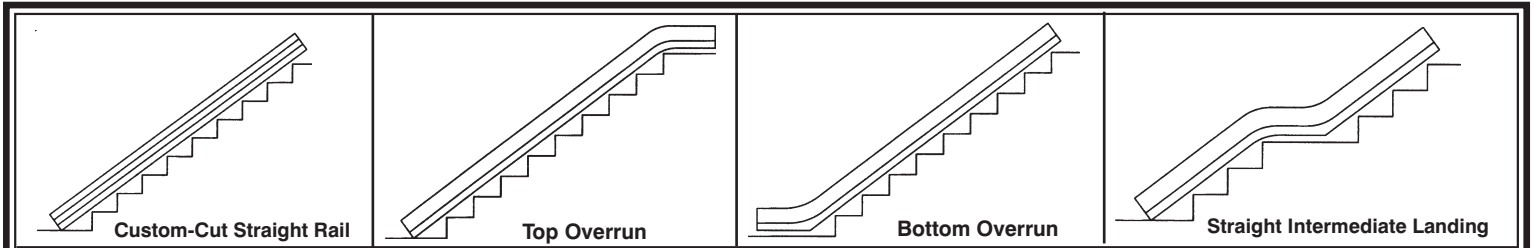


STRAIGHT-RAIL APPLICATIONS



Custom-Cut Straight Rail: Includes up to 20 ft (6 m) of Rail.

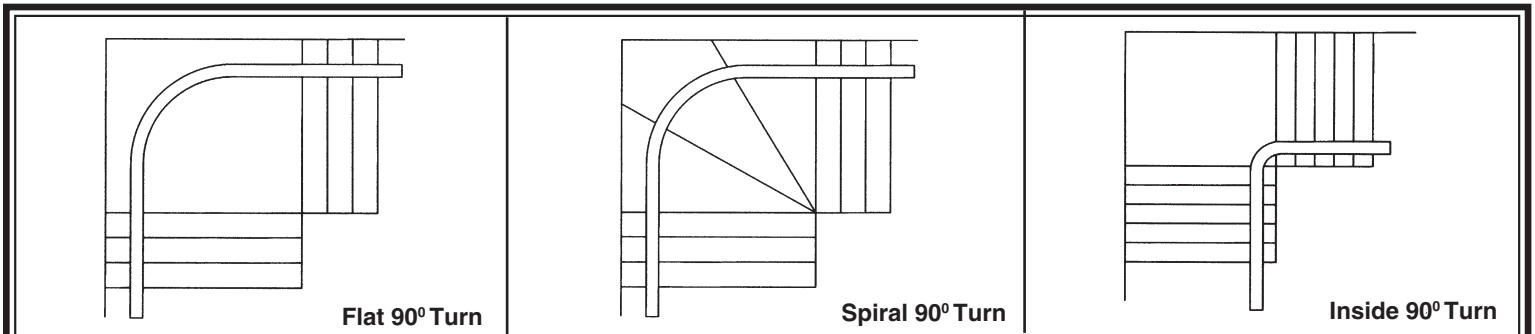
Straight with Top Overrun: Includes up to 20 ft (6 m) of Rail.

Straight with Bottom Overrun: Includes up to 20 ft (6 m) of Rail.

Straight Intermediate Landing: Includes up to 25 ft (8 m) of Rail.

PLEASE CONTACT BRUNO INDEPENDENT LIVING AIDS, INC., SALES DEPARTMENT FOR PRICING OF THE 90° AND 180° PARK POSITION OPTIONS FOR THE ABOVE APPLICATIONS.

90° TURNS

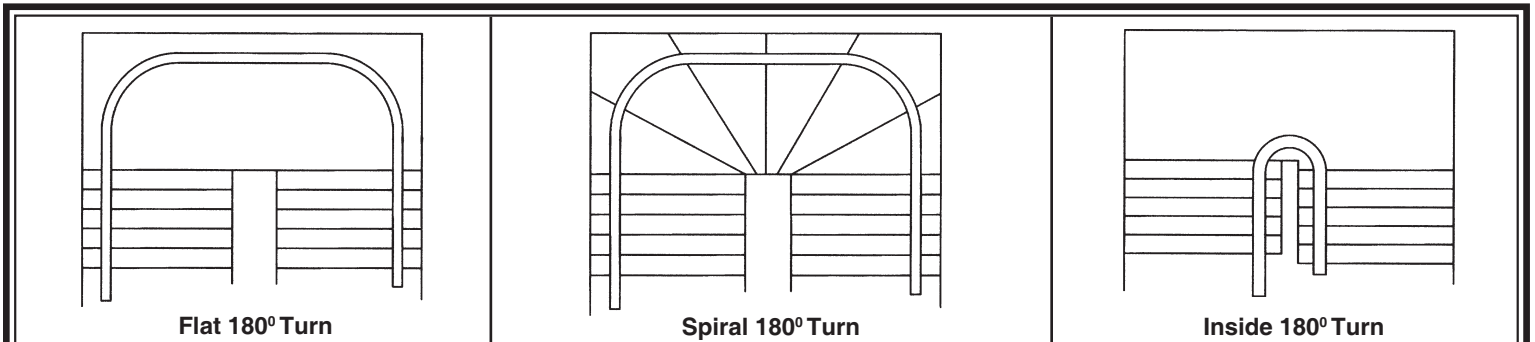


Flat 90° Turn: Includes up to 25 ft (8 m) of Rail.

Spiral 90° Turn: Includes up to 25 ft (8 m) of Rail.

Inside 90° Turn: Includes up to 25 ft (8 m) of Rail.

180° TURNS



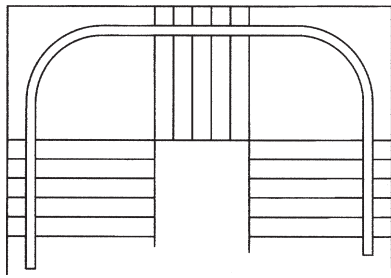
Flat 180° Turn: Includes up to 30 ft (9 m) of Rail.

Spiral 180° Turn: Includes up to 30 ft (9 m) of Rail.

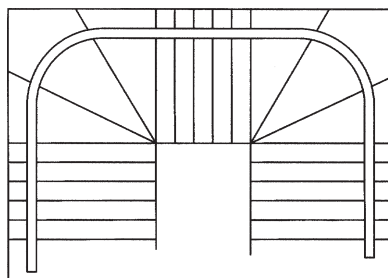
Inside 180° Turn: Includes up to 30 ft (9 m) of Rail.

If the staircase configuration is other than shown, please contact our sales department for pricing. Bruno Independent Living Aids, Inc.®, recommends that dealers submit a drawing to ensure all price quotes are complete.

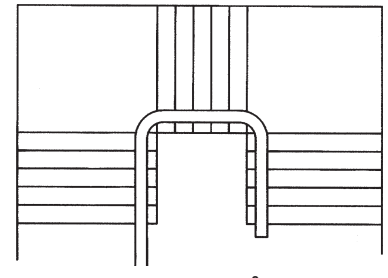
DOUBLE 90° TURNS



Flat Double 90° Turn



Spiral Double 90° Turn



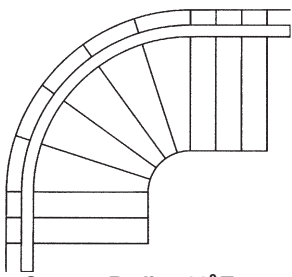
Inside Double 90° Turn

Double 90° Flat Turn: Includes up to 30 ft (9 m) of Rail.

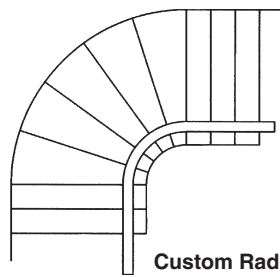
Double 90° Spiral Turn: Includes up to 30 ft (9 m) of Rail.

Double 90° Inside Turn: Includes up to 30 ft (9 m) of Rail.

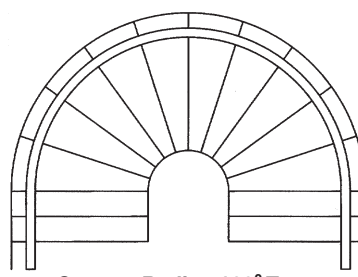
CUSTOM RADIUS TURNS



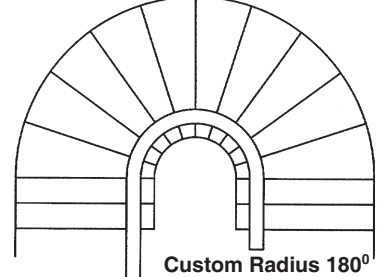
Custom Radius 90° Turn



Custom Radius
90° Inside Turn



Custom Radius 180° Turn



Custom Radius 180°
Inside Turn

Custom Radius 90° Turn: Includes up to 30 ft (9 m) of Rail.

Custom Radius 90° Inside Turn: Includes up to 30 ft (9 m) of Rail.

Custom Radius 180° Turn: Includes up to 30 ft (9 m) of Rail.

Custom Radius 180° Inside Turn: Includes up to 30 ft (9 m) of Rail.

RAIL OPTIONS

Top or Bottom Horizontal Overrun
90° Park Position (top or bottom)*
180° Park Position (top or bottom)*
Additional Straight Intermediate Landing
Additional 90° Turn
Additional 180° Turn
Special Turns (angle other than 90° or 180°)
Rail Lengths Beyond Standard

OTHER OPTIONS

Controls: Key Switch On Chair Keyed Call/Send Controls (Quantity 2)
Additional Remote Transmitters (2 included in standard price)
SRE-1550 Seat with Swing-Away Arms
23 in (584 mm) Wide CRE Seat
Commercial Unit/Overspeed Brake (does not include keyed call/send or key switch on chair)
Drawings for Permits **

* Please contact Bruno Independent Living Aids, Inc., Sales Department for pricing of the 90° and 180° park position options for the following applications: Custom-Cut Straight Rail, Straight with Top Overrun, Straight with Bottom Overrun, and Straight Intermediate Landing.

** Fee will not be charged if job is approved for production. Order placed on hold will automatically be cancelled if not approved within six months of receipt of the drawing.